

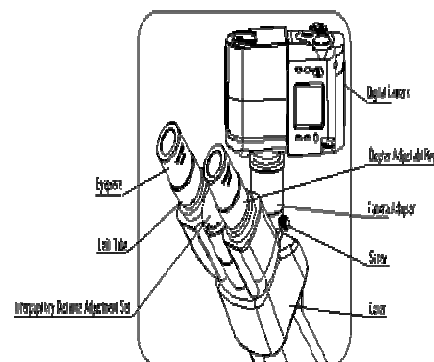
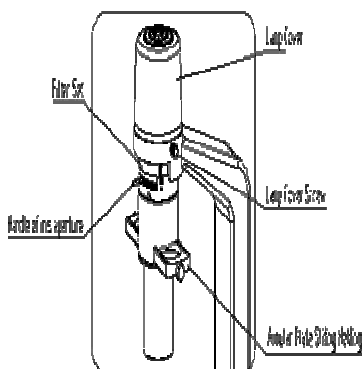
T100 Series Inverted Microscope

NILPA T100 Inverted Microscope provides versatility and high quality images for bright field and phase contrast observation. Ergonomically designed and Constructed with high quality component through the whole microscopes, T100 Inverted Microscope is the ideal instrument for micro tissue culture and other advanced applications ----- Totally 2 Models for Options---T100 & T100P

Main Features:

- Superior qualified optical system equipped by LWD Plan Objectives offers high stable clear image
- Shape-designed base provides the high stability
- Ergonomic Configuration Design achieves simple and convenient operation

Objective	LWD Plan Achromatic Objectives 10X, 25X, 40X
	LWD Plan Phase Contrast Objectives 25X
	LWD Plan Achromatic Objectives 4x, 25x, 40x
	LWD Plan Phase Contrast Objectives 10x, 25x, 40x
Eyepiece	WF10X/20
	WF16x/14
	Article Eyepiece 10x/0.1mm
Viewing Head	Binocular Head
	Sidentopf Trinocular Head- 45°
Stage	Fixed Stage
	Mechanical Stage
Filters	Blue
	Green
Annular Spot	Phase Contrast Annular Spot 25x
	Phase Contrast Annular Spot 10x, 25x, 40x
illumination	Halogen Lamp 6V 20W, Adjustable Brightness
Condenser	Condenser NA:0.35 (WD 45/102MM)
Adapter	C-mount Adapter 1x



NILPA CONSULTANCY

2/B, Shobhana Apartment,
K. V. Road, Off W. S. Road,
Dahisar (E), Mumbai - 400 068.