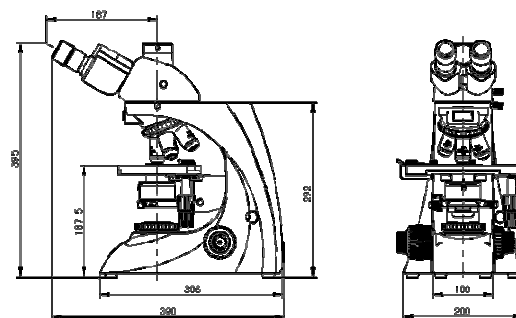


X500 Series Biological Microscope

Specification	
Eyepiece	WF 1 0X -18 mm
	WF 1 0X -20mm
	WF1 6X -13mm
	WF 1 0X -18 mm (With Pointer)
	WF 1 0X -18 mm (Reticule 0.1mm)
Infinity Plan Objectives	IOS 4 X /0.10
	IOS 10 X /0.25
	IOS 20 X /0.40(S)
	IOS 40 X /0.66 (S)
	IOS 100 X /1.25 (Oil) (S)
Seidentopf Binocular Head	Inclined 30 ,Rotatable 360degree,
	Interpupillary Distance 50-75mm
Seidentopf Trinocular Head	Inclined 30 ,Rotatable 360degree, Interpupillary Distance:50-75mm, Light Distribution: 0:100
Seidentopf Trinocular Head	Inclined 30 ,Rotatable 360degree, Interpupillary Distance:50-75mm, Light Distribution: 0:100
Nosepiece	Quadplex
	Quintuple
Mechanical Stage	Travel: 78mm to 55mm, Size: 190m x 140mm
Focussing	Coaxial Coarse and Fine Focusing Knobs
Condenser	Abbe N.A. 1.25 (Iris Diaphragm)
Koehler Illumination System	6V/20W Halogen Lamp(G4)
	6V/30W Halogen Lamp(G4) Optional
LED Illumination System	Optional
C-mount	0.3 X
	0.5 iÁ
	1 X
Adaptor For Digital Camera	Optional
Field Diaphragm	Optional
Filter	Blue
	Green
	Amber
Fluorescence, Phase Contrast, Dark field, Polarize And Incident Accessories Are Optional.	



NILPA CONSULTANCY



**2/B, Shobhana Apartment,
K. V. Road, Off W. S. Road,
Dahisar (E), Mumbai - 400 068.**